

Straight holder/L-shaped holder

Jointing electrode

Straight holder

● mark and blue letter means ordered product.

Application

▶ This is mainly used for attaching holder with BS horn of stationery spot welding machine.

▶ We have wide range selections in diameter, length and taper.

Material : Cu

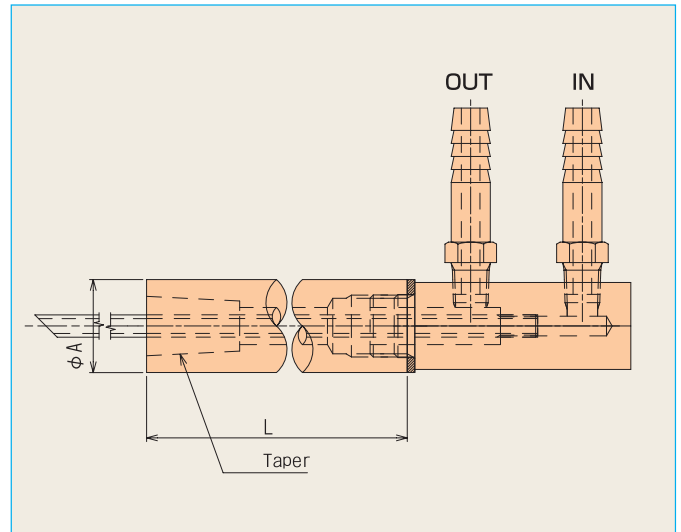
Features

Type : Outer diameter ϕ 25 length 150 ~ 300. Taper various.

Outer diameter ϕ 32 length 200 ~ 250. Taper various.



Photo is assembly set of straight holder, cooling water joint and copper pipe.



Order code

A × **L** - **Taper**

Unit : mm

| Size | | |
|------|-----|---|
| A | L | Taper |
| 25 | 150 | 16 ¹ / ₁₀ , 16 ¹ / ₅ |
| 25 | 200 | 16 ¹ / ₁₀ , 16 ¹ / ₅ |
| 25 | 250 | 12 ¹ / ₁₀ ●, 16 ¹ / ₁₀ , 16 ¹ / ₅ , MT2 |
| 25 | 300 | 16 ¹ / ₁₀ , 16 ¹ / ₅ |
| 32 | 200 | 16 ¹ / ₁₀ , 16 ¹ / ₅ |
| 32 | 250 | 16 ¹ / ₁₀ , 16 ¹ / ₅ , 20 ¹ / ₅ ● |

L-shaped holder

● mark and blue letter means ordered product.

Application

▶ Principally the usage of this is the same with straight holder but this is used when the shape of the work prevent good connect between electrode and the work (welding object)

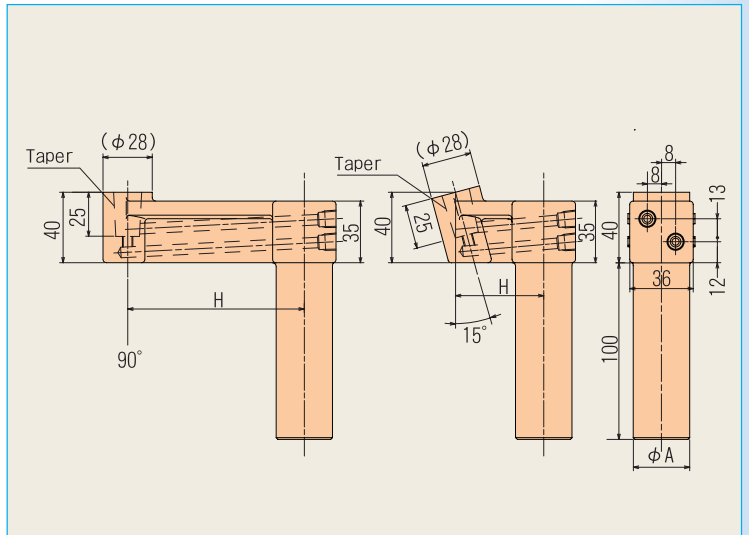
▶ Our varieties are 3 kinds in eccentric length, 2 kinds in degree and 2 kinds in attaching diameter to match with condition.

Features

▶ Tip taper degree are 2 kinds of 90° & 15° .

▶ Grip parts are 2 kinds of $\phi 25$ & $\phi 32$.

※ Because this is eccentric product, please use at lower than 2.45KN (250 kgf) on welding pressure



Order code

A × **H** × **Fixing degree** - **Taper**

Unit : mm

| Size | | | |
|------|-----|---------------|---|
| A | H | Fixing degree | Taper |
| 25 | 50 | 90° | 16 ¹ / ₁₀ , 16 ¹ / ₅ ● |
| 25 | 70 | 90° | 16 ¹ / ₁₀ , 16 ¹ / ₅ ● |
| 25 | 100 | 90° | 16 ¹ / ₁₀ , 16 ¹ / ₅ ● |
| 25 | 50 | 15° | 16 ¹ / ₁₀ ●, 16 ¹ / ₅ ● |
| 25 | 70 | 15° | 16 ¹ / ₁₀ ●, 16 ¹ / ₅ ● |
| 25 | 100 | 15° | 16 ¹ / ₁₀ ●, 16 ¹ / ₅ ● |

| Size | | | |
|------|-----|---------------|---|
| A | H | Fixing degree | Taper |
| 32 | 50 | 90° | 16 ¹ / ₁₀ , 16 ¹ / ₅ ● |
| 32 | 70 | 90° | 16 ¹ / ₁₀ , 16 ¹ / ₅ ● |
| 32 | 100 | 90° | 16 ¹ / ₁₀ , 16 ¹ / ₅ ● |
| 32 | 50 | 15° | 16 ¹ / ₁₀ ●, 16 ¹ / ₅ ● |
| 32 | 70 | 15° | 16 ¹ / ₁₀ ●, 16 ¹ / ₅ ● |
| 32 | 100 | 15° | 16 ¹ / ₁₀ ●, 16 ¹ / ₅ ● |