

Upper electrode for nut welding

Upper holder for weld nut

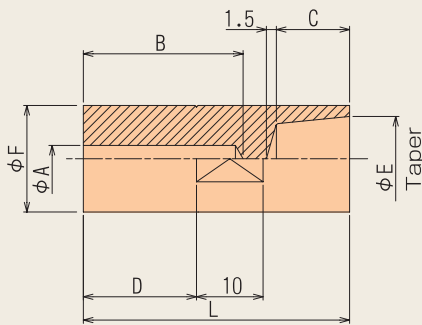


▶ Upper electrode for weld nut welding.



- ▶ ① We have 2 kinds of upper electrode One is Cap type and another is all-in-one type.
- ▶ ② Material for cap system is CuBe50 that is suitable for projection welding. Further this enable cooling to tip toe and realize long life.

Material : CuBe50



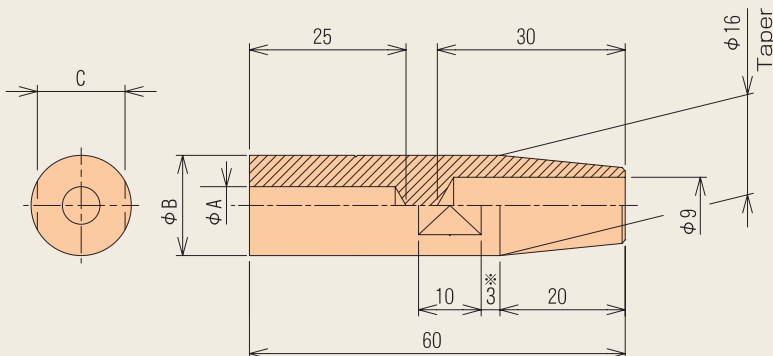
Order code

(\varnothing) (\varnothing) (Overall length)
M A - N F L

Unit : mm

Nut	Size							Gripping width
	A	B	C	D	E	F	L	
M 4	4	25	10	19	10.0	13	40	11
M 5	5	25	10	19	10.0	13	40	11
M 6	6	25	10	19	10.0	13	40	11
M 4	4	24	11	17	12.6	16	40	14
M 5	5	24	11	17	12.6	16	40	14
M 6	6	24	11	17	12.6	16	40	14
M 8	8	24	11	17	12.6	16	40	14
M 8	8	33	11	23	12.6	20	48	17
M10	10	33	11	23	12.6	20	48	17
M12	12	33	11	23	12.6	25	48	22

Material : CuCr



※ M4 ~ M8 are 3mm. M10, M12 are 5mm.

Order code

(\varnothing) (\varnothing)
M A / B × 60 - Taper

Taper : 16¹/₁₀, 16¹/₅

Unit : mm

Nut	Size		
	A	B	C
M 4	4	16	14
M 5	5	16	14
M 6	6	16	14
M 8	8	16	14
M10	10	22	20
M12	12	25	22