

Threaded adapter Connecting electrodes

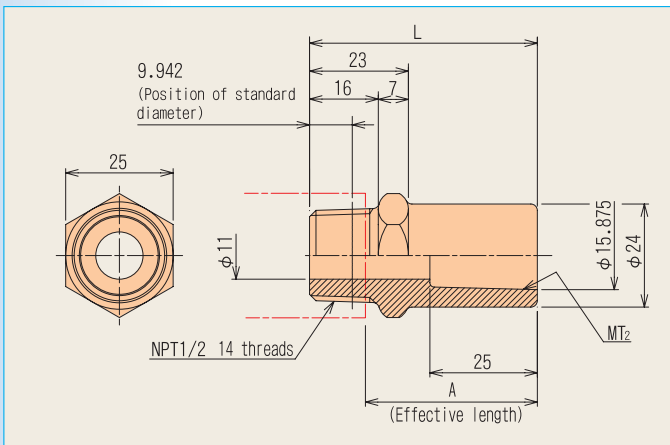


▶ Mainly used for stud gun. This also can be used as Taper parts of Holder, Gun holder and Tip base.

① Use to joint Holder (Gun holder, Tip base) and Shank. This is suitable for partial replacement and length adjustment.

② By application of CuBe50, it reduces taper damage and obtained durability.

※ When you set, please put shank on threaded adapter firstly.



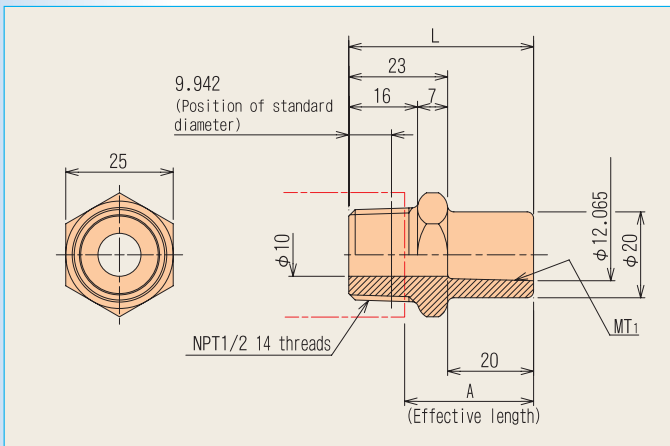
Order code

(Effective length)

W-AD-A-A-Taper

Unit : mm

Size			
A	L	Taper	Applicable shank
10	23	MT2, 1/10	Ø16
15	28	MT2	Ø16
20	33	MT2	Ø16
30	43	MT2	Ø16
40	53	MT2	Ø16
50	63	MT2	Ø16
60	73	MT2	Ø16



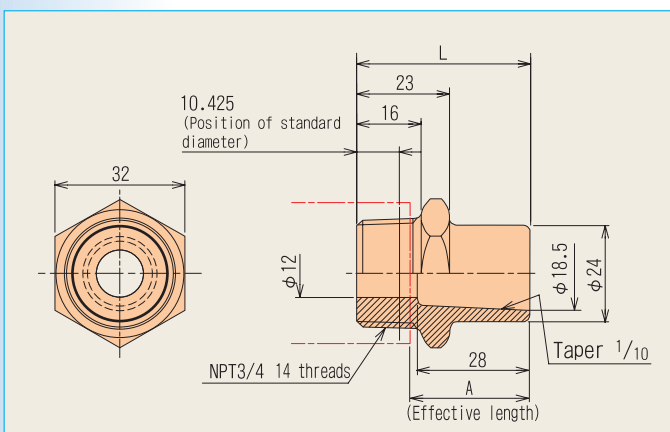
Order code

(Effective length)

W-AD-B-A-Taper

Unit : mm

Size			
A	L	Taper	Applicable shank
10	23	MT1, 1/10	Ø13
15	28	MT1	Ø13
20	33	MT1	Ø13
30	43	MT1	Ø13
40	53	MT1	Ø13
50	63	MT1	Ø13
60	73	MT1	Ø13



Order code

(Effective length)

W-AD-D-A 1/10

Unit : mm

Size			
A	L	Taper	Applicable shank
10	23	1/10	Ø19
15	28	1/10	Ø19
20	33	1/10	Ø19
30	43	1/10	Ø19
40	53	1/10	Ø19
50	63	1/10	Ø19
60	73	1/10	Ø19

● mark and blue letter means ordered product.